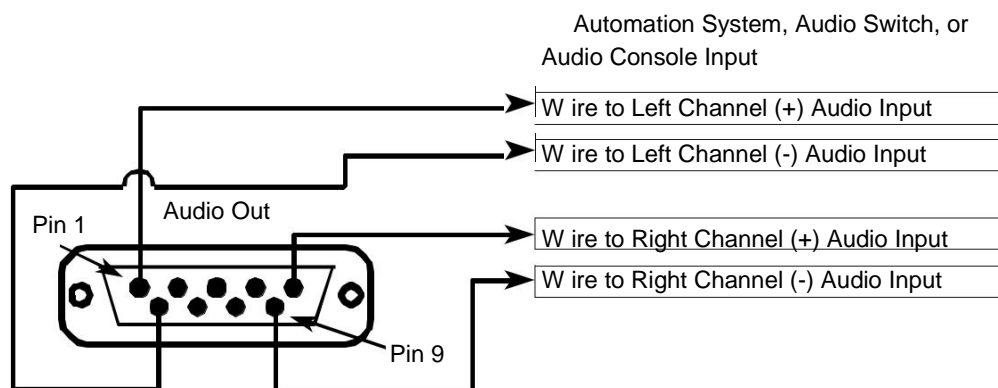




WestwoodOne

XDS Audio Card Wiring

1(+) and **6(-)** – Left Channel
5(+) and **9(-)** – Right Channel



Pin	Function
1	LOUT +
2	AUD GND
3	MONO +
4	AUD GND
5	ROUT +
6	LOUT -
7	AUD GND
8	MONO -
9	ROUT -